

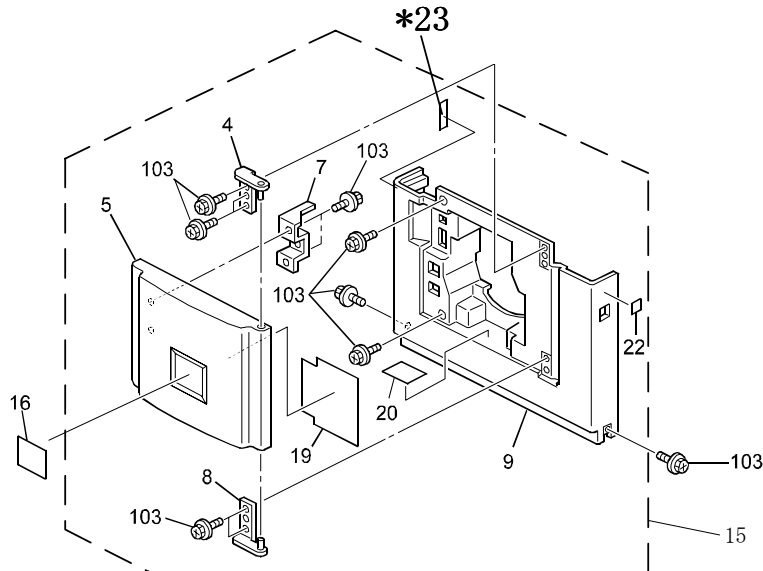
<b>Model:</b> PRIPORT SILVER-V/SILVER-V2	<b>Date:</b> 26-Dec-02	<b>No:</b> M-C237-013
<b>Modified Article:</b> New model Silver-V2 information	<b>Prepared by:</b>	
<b>From:</b> Priport Service Planning Section	A. Yoshida	
<b>Classification:</b> <input type="checkbox"/> Parts catalog correction <input type="checkbox"/> Vendor change <input type="checkbox"/> To meet standards <input type="checkbox"/> To facilitate assembly <input type="checkbox"/> To improve reliability ( ) <input type="checkbox"/> Part standardization <input checked="" type="checkbox"/> Other (New machine information)		
<b>Model Name:</b>		
SILVER-V: Ricoh JP1210/1230/1250, Gestetner 5308(L/b)/5300, RexRotary 1225(B), nashuatec CP308(b), Savin 3150eDNP, Standard SD330 SILVER-V2: Ricoh JP1250/1215/1235/1255, Gestetner 5300/5308(+/b+)/5309L, RexRotary 1225(+/B+), nashuatec CP308(+/b+), Savin 3160DNP, Standard SD350, Lanier LDD020		

The Silver-V2 will be released in 2003 as the successor to the Silver-V (see the Silver-V2 PPLI for details on the mass-production schedule). A new model code will be assigned to the Silver-V2 (C248), as there are some parts that are not interchangeable with the Silver-V (C237).

This bulletin details all information unique to the Silver-V2 for servicing in the field. Please add the following to your Silver-V Parts Catalog, and refer to RTB #RC231013 for revisions made to the Service Manual due to minor changes applied to the Silver-V2.

- NOTE:**
- 1) Index numbers marked with \* are new index numbers.
  - 2) Index numbers marked with \*\* are unique to the C248 model.
  - 3) Index numbers marked with \*\*\* are unique to the C248 model and the color of the parts has changed.
  - 4) Index numbers marked with \*\*\*\* are also used in the C237 model.

**1. EXTERIOR1 (C248)**



Sec	Page	Index	Parts No.	Description	Q'ty	MB No.
1	7	***1	C2481254	Operation Panel Lower Cover	1	-
1	7	***2	C2481303	Decal - Scanner Open	1	-
1	7	***3	C2481340	Left Scanner Cover	1	-
1	7	**5	C2481290	Front Door Ass'y	1	-
1	7	***9	C2481255	Front Cover	1	-
1	7	***10	C2481350	Connector Cap	1	-
1	7	***11	C2481258	Rear Upper Cover Ass'y	1	-
1	7	***12	C2481360	Rear Cover	1	-
1	7	***13	C2481202	Right Cover Ass'y	1	-
1	7	**15	C2481250	Font Cover Ass'y NA	1	-
1	7	**15	C2481283	Font Cover Ass'y EU	1	-
1	7	**15	C2481270	Font Cover Ass'y CHN	1	-
1	7	**16	C2481321	Decal - Emblem 5308b+	1	-
1	7	**16	C2481322	Decal - Emblem 1225B+	1	-
1	7	**16	C2481323	Decal - Emblem CP308b+	1	-
1	7	**16	C2481324	Decal - Emblem 5308+	1	-
1	7	**16	C2481325	Decal - Emblem 1225+	1	-
1	7	**16	C2481326	Decal - Emblem CP308+	1	-

**Model:** PRIPORT SILVER-V/SILVER-V2

**Date:** 26-Dec-02

**No:** M-C237-013

Sec	Page	Index	Parts No.	Description	Q'ty	MB No.
1	7	**16	C2481327	Decal – Emblem JP1250	1	-
1	7	**16	C2481341	Decal – Emblem JP1215	1	-
1	7	**16	C2481342	Decal – Emblem 5300	1	-
1	7	**16	C2481343	Decal – Emblem JP1255	1	-
1	7	**16	C2481344	Decal – Emblem SD350	1	-
1	7	***20	C2481302	Decal – Paper Exit Pawl	1	-
1	7	***21	C2481363	Control Cap	1	-
1	7	***22	C2391354	Decal – Paper Feed	1	-
1	7	*23	C2481314	Decal – Main Switch CHN	1	-

**2. EXTERIOR2 (C248)**

Sec	Page	Index	Parts No.	Description	Q'ty	MB No.
2	9	***1	C2481451	Operation Panel Ass'y NA	1	-
2	9	***1	C2481452	Operation Panel Ass'y EU	1	-
2	9	***1	C2481454	Operation Panel Ass'y CHN	1	-
2	9	***1	C2481455	Operation Panel Ass'y AA	1	-
2	9	***2	C2481490	Behind Cover	1	-
2	9	***3	C2481501	Key Sheet – Behind CHN	1	-
2	9	***3	C2481491	Key Sheet – Behind NA	1	-
2	9	***3	C2481496	Key Sheet – Behind EU	1	-
2	9	***5	C2481492	Key Sheet – Center NA	1	-
2	9	***5	C2481497	Key Sheet – Center EU	1	-
2	9	***5	C2481502	Key Sheet – Center CHN	1	-
2	9	***6	C2481493	Continuance Shield NA	1	-
2	9	***6	C2481498	Continuance Shield EU	1	-
2	9	***6	C2481503	Continuance Shield CHN	1	-
2	9	***7	C2481494	Key Sheet – Start NA	1	-
2	9	***7	C2481499	Key Sheet – Start EU	1	-
2	9	***7	C2481504	Key Sheet – Start CHN	1	-
2	9	***7	C2481495	Key Sheet – Stop NA	1	-
2	9	***7	C2481500	Key Sheet – Stop EU	1	-
2	9	***7	C2481505	Key Sheet – Stop CHN	1	-
2	9	***11	C2481675	Platen Cover Ass'y	1	-
2	9	***12	C2481701	Original Scale	1	-

**Model:** PRIPORT SILVER-V/SILVER-V2

**Date:** 26-Dec-02

**No:** M-C237-013

Sec	Page	Index	Parts No.	Description	Q'ty	MB No.
2	9	***13	C2481705	Scale – Side	1	-
2	9	***14	C2481731	Connector Cover	1	-
2	9	***15	C2481710	Upper Cover	1	-
2	9	***17	C2481730	ADF Cover	1	-
2	9	***18	C2481721	Decal – Front Original Set	1	-
2	9	***19	C2481723	Original Tray Sheet	1	-
2	9	***20	C2486104	Original Cap Guide	1	-
2	9	***21	C2486110	Decal – Original Level	1	-
2	9	***22	C2486103	Rear Original Guide	1	-
2	9	***23	C2486102	Front Original Guide	1	-
2	9	***25	C2486101	Original Table	1	-
2	9	***26	C2486111	Decal – Original Table	1	-
2	9	***27	C2486060	Pressure Plate Stopper	1	-
2	9	***28	C2481722	Decal – Rear Original Set	1	-

**3. ADF UNIT 1 (C248)**

Sec	Page	Index	Parts No.	Description	Q'ty	MB No.
3	11	***1	C2486171	Guide Cover	1	-
3	11	***9	C2486030	Front Cover	1	-
3	11	****14	H3071314	Spring Clutch – M6	1	-
3	11	****20	H5211256	ADF Feed Roller	1	-
3	11	***21	C2486176	Pickup Bracket	1	-
3	11	***22	C2486031	Rear Cover	1	-
3	11	****23	H5211255	ADF Pickup Roller	1	-
3	11	***28	C2486033	Lower Rear Cover	1	-
3	11	***35	C2486180	Base Ass'y	1	-
3	11	***38	C2486032	Lower Front Cover	1	-
3	11	***41	C2486170	ADF Feeder Unit	1	-

**Model:** PRIPORT SILVER-V/SILVER-V2**Date:** 26-Dec-02**No:** M-C237-013**4. ADF UNIT 2 (C248)**

Sec	Page	Index	Parts No.	Description	Q'ty	MB No.
4	13	***6	C2486173	Lock Lever	2	-
4	13	****11	H3061329	Joint Shaft	1	-
4	13	***21	C2486172	Separation Guide	1	-
4	13	****41	H5211376	Pressure Spring	2	-
4	13	****44	H5211375	Pressure Shaft Holder	2	-
4	13	***47	C2486174	Release Lever	1	-
4	13	****48	H5211313	Spring	1	-

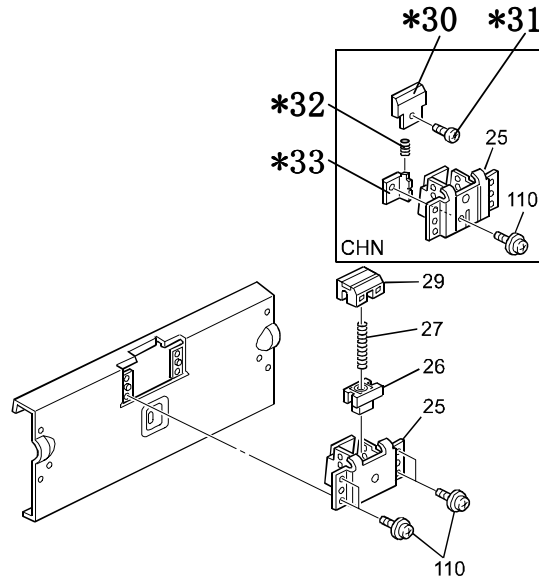
**6. SCANNER SECTION 2 (C248)**

Sec	Page	Index	Parts No.	Description	Q'ty	MB No.
6	17	****33	H5215001	Lamp Stabilizer	1	MC237004

**7. PAPER TABLE SECTION (C248)**

Sec	Page	Index	Parts No.	Description	Q'ty	MB No.
7	19	***18	C2482979	Side Fence CHN	1	-
7	19	***18	C2482980	Side Fence	1	-
7	19	***21	C2482700	Paper Feed Tray Ass'y	1	-
7	19	***21	C2482710	Paper Feed Tray Ass'y CHN	1	-
7	19	***22	C2482995	Decal – Side Fence	1	-
7	19	***25	C2382964	Tray adjuster	1	-
7	19	***26	C2382973	Lock Knob	1	-
7	19	***37	C2482947	Base Ass'y	1	-
7	19	***40	C2482997	Decal – Paper Level	1	-
7	19	***42	C2482996	Decal – Paper Set	1	-

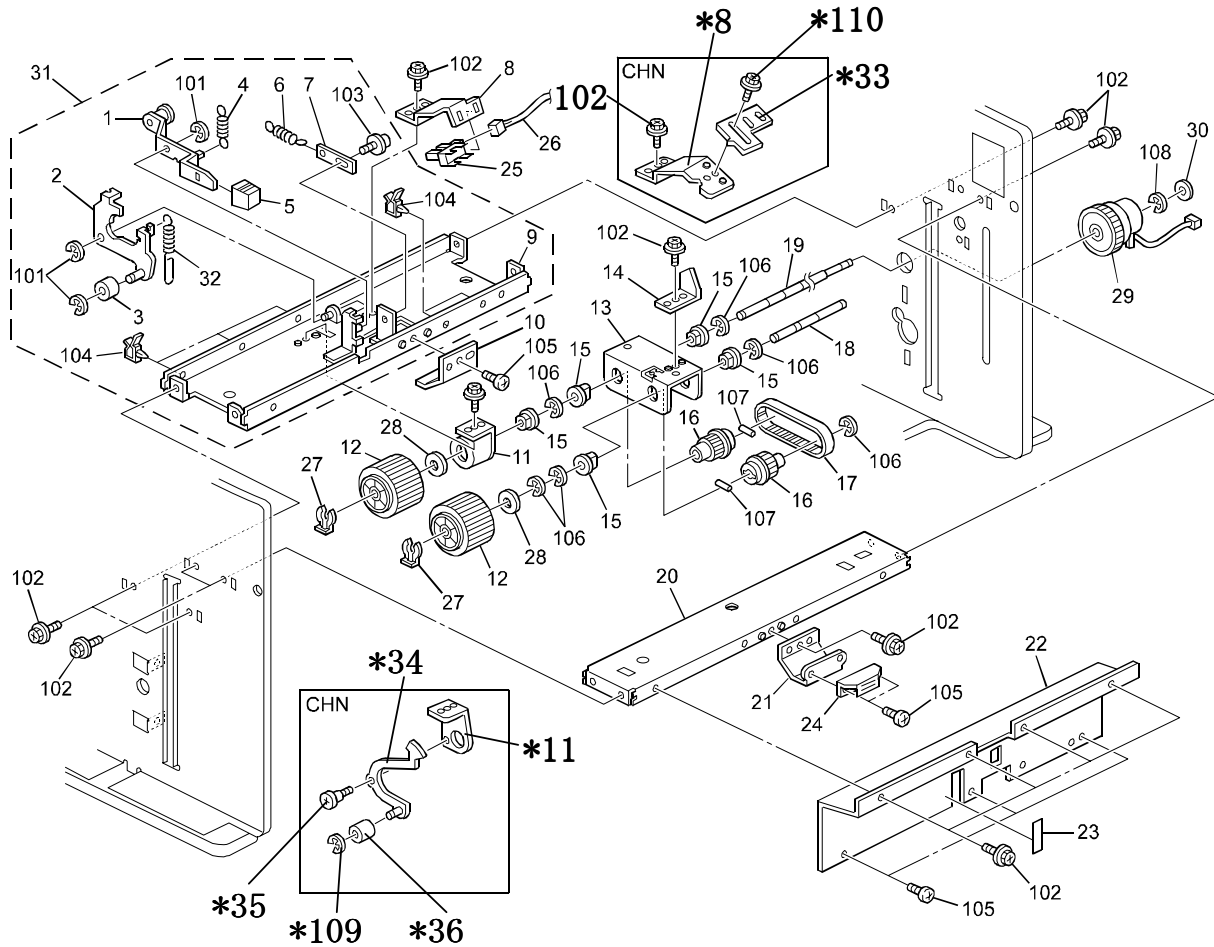
**8. PAPER FEED SECTION (C248)**



Sec	Page	Index	Parts No.	Description	Q'ty	MB No.
8	21	****20	C2312896	Separation Adjuster	1	-
8	21	****20	C2372896	Separation Adjuster CHN	1	MC237012
8	21	****21	C2372817	Front Paper Feed Tray	1	MC237012
8	21	****23	C2482893	Screw Holder	1	-
8	21	****25	C2312811	Separation Bracket	1	-
8	21	****25	C2372811	Separation Bracket CHN	1	MC237012
8	21	****26	C2312897	Separation Spring Holder	1	-
8	21	****26	C2372897	Separation Spring Holder CHN	1	MC237012
8	21	****27	C2372898	Separation Spring	1	-
8	21	****27	C2372813	Separation Spring CHN	1	MC237012
8	21	****29	C2312861	Friction Pad Ass'y	1	-
8	21	****29	C2372804	Friction Pad Ass'y CHN	1	MC237012
8	21	*30	C2372806	Friction Pad Guide	1	MC237012
8	21	*31	56073927	Stepped Screw – M3x8 CHN	1	MC237012
8	21	*32	C2372814	Separation Spring CHN	1	MC237012
8	21	*33	C2372798	Adjusting Plate CHN	1	MC237012

**NOTE:** Index numbers \*30, \*31, \*32, and \*33 are also used in the C237 model.

## 9. PAPER REGISTRATION (C248)



Sec	Page	Index	Parts No.	Description	Q'ty	MB No.
9	23	****1	C2372916	Paper Feed Lever	1	-
9	23	***5	C2482932	Lever Knob	1	-
9	23	*8	C2372787	Sensor Bracket CHN	1	MC237012
9	23	*11	C2372865	Arm Retainer CHN	1	MC237012
9	23	***23	C2482937	Decal – Paper Feed Pressure	1	-
9	23	***23	C2482939	Decal – Paper Feed Pressure CHN	1	-
9	23	****24	C2372150	Magnet Catch Ass'y	1	-
9	23	***31	C2482902	Paper Feed Stay Ass'y	1	-
9	23	****32	C2312852	Spring	1	-
9	23	****32	C2372852	Spring CHN	1	MC237012

<b>Model:</b> PRIPORT SILVER-V/SILVER-V2	<b>Date:</b> 26-Dec-02	<b>No:</b> M-C237-013
--	------------------------	-----------------------

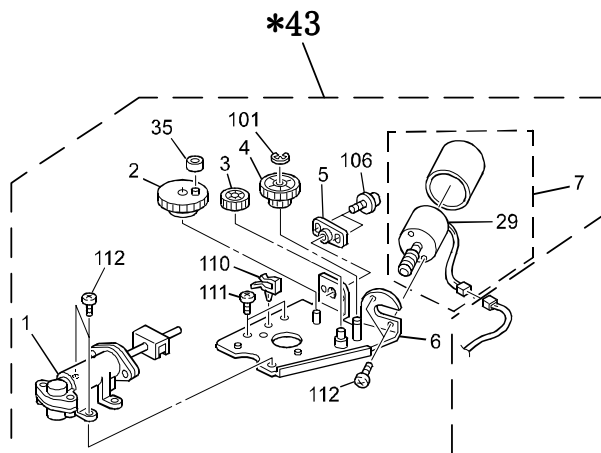
Sec	Page	Index	Parts No.	Description	Q'ty	MB No.
9	23	*33	C2372788	Sensor Holder CHN	1	MC237012
9	23	*34	C2372784	Sensor Actuator	1	MC237012
9	23	*35	AA143402	Screw – SCALE CHN	1	MC237012
9	23	*36	C2372783	Paper Sensor Roller CHN	1	MC237012
9	23	*109	07200030E	Retaining ring – M3	1	MC237012
9	23	*110	09513006E	Screw – M3X6	1	MC237012

**NOTE:** Index numbers \*8, \*11, \*33, \*34, \*35, \*36, \*109, and \*110 are also used in the C237 model.

**11. PLOTTER UNIT 2 (C248)**

Sec	Page	Index	Parts No.	Description	Q'ty	MB No.
11	27	****1	C2372085	Upper Guide Plate	1	MC237008
11	27	****5	C2372077	Brake Roller	1	MC237009
11	27	****7	C2372065	Brake Roller Spring	2	MC237009
11	27	***9	C2482055	Master Edge Position Bracket	1	-

**15. DRUM UNIT 3 (C248)**

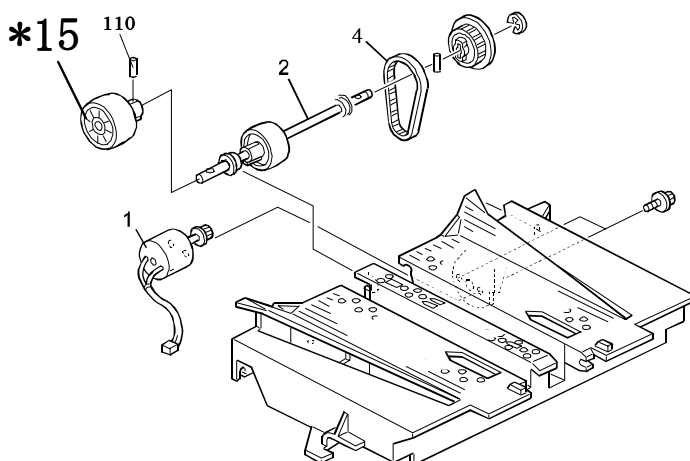


Sec	Page	Index	Parts No.	Description	Q'ty	MB No.
15	35	****34	C2372460	Ink Drive Gear	1	MC237007
15	35	*43	C2372497	Pump Unit	1	MC237002

**NOTE:** Index number \*43 is also used in the C237 model.



## 16. VACUUM FAN UNIT (C248)



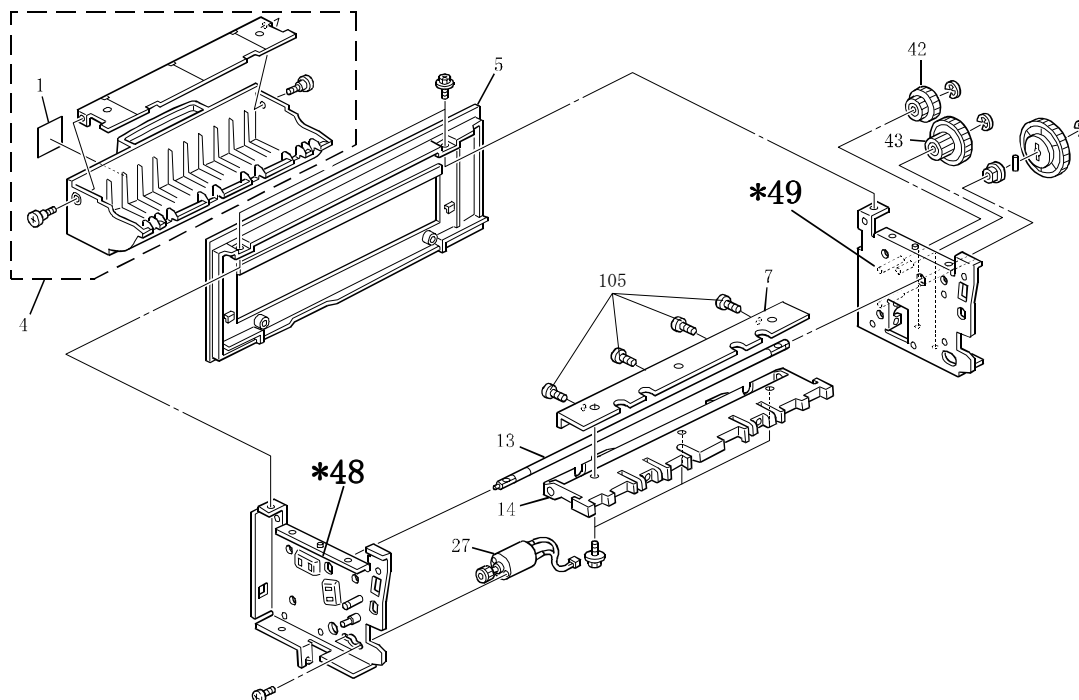
Sec	Page	Index	Parts No.	Description	Q'ty	MB No.
16	37	****4	C2313879	Timing Belt	1	-
16	37	*15	C2313871	Drive Roller	1	MC231012

**NOTE:** Index number \*15 is also used in the C237 model.

## 17. DELIVERY TABLE (C248)

Sec	Page	Index	Parts No.	Description	Q'ty	MB No.
17	39	***-	C2484201	Paper Delivery Table Ass'y	1	-
17	39	***-	C2484204	Paper Delivery Table Ass'y CHN	1	-
17	39	***1	C2484416	End Plate Case	1	-
17	39	***2	C2484406	End Plate Fence	1	-
17	39	***3	C2384406	Side Fence Grip	1	-
17	39	***5	C2484407	Side Fence Case	2	-
17	39	***6	C2384396	Rear Lower Guide	1	-
17	39	***6	C2384398	Rear Lower Guide CHN	1	-
17	39	***7	C2484428	Rear Side Fence	1	-
17	39	***8	C2484427	Front Side Fence	1	-
17	39	***10	C2484390	Bottom Plate	1	-
17	39	***12	C2384456	Slider Cover	2	-
17	39	***21	C2384395	Front Lower Guide	1	-
17	39	***21	C2384397	Front Lower Guide CHN	1	-
17	39	***24	C2384421	Slider Cover	1	-

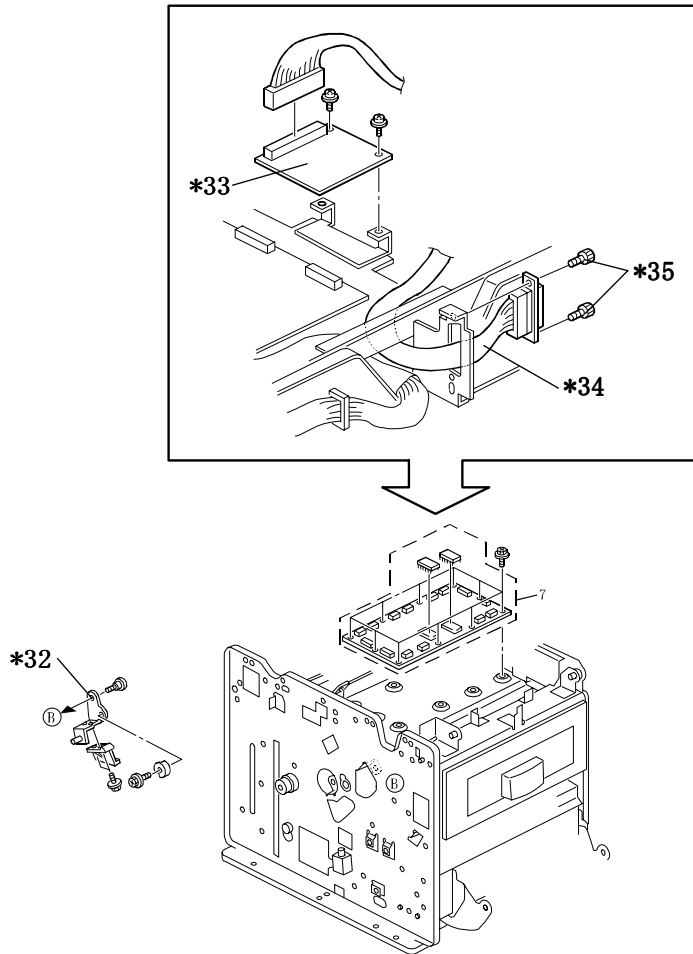
## 18. MASTER EJECT UNIT(C248)



Sec	Page	Index	Parts No.	Description	Q'ty	MB No.
18	41	***1	C2483521	Decal – Eject Box	1	-
18	41	***4	C2483510	Master Eject Box	1	-
18	41	***5	C2483541	Unit Cover	1	-
18	41	****7	C2373509	Guide Plate	1	MC237005
18	41	****13	C2373508	Pressure Plate Shaft	1	MC237005
18	41	****14	C2373507	Pressure Plate	1	MC237005
18	41	****27	C2098260	DC motor	1	MC237004
18	41	****42	C2313519	Second Gear - B4	1	-
18	41	****42	C2373519	Second Gear - LG, A4	1	MC237006
18	41	****43	C2313518	First Gear - B4	1	-
18	41	****43	C2373518	First Gear - LG, A4	1	MC237006
18	41	*48	C2373454	Front Side Plate	1	-
18	41	*49	C2372456	Rear Side Plate	1	-
18	41	**** 105	09504010B	Screw – M4x10	2 to 4	MC237005

**NOTE:** Index numbers \*48 and \*49 are also used in the C237 model.

**20.ELECTRICAL SECTION 1 (C248)**



Sec	Page	Index	Parts No.	Description	Q'ty	MB No.
20	45	***3	C2481359	LED Cover Bracket	1	-
20	45	****7	C2375100	MPU Board	1	-
20	45	****7	C2375150	MPU Board – Asia	1	-
20	45	****7	C2375160	MPU Board – CHN	1	MC237012
20	45	****9	C2375105	Main ROM	1	-
20	45	****9	C2375155	Main ROM – Asia	1	-
20	45	****9	C2375165	Main ROM – CHN	1	MC237012
20	45	****11	C2375201	DC Harness	1	MC237004
20	45	****11	C2375230	Paper Feed Harness	1	MC237004
20	45	***22	C2481370	Power Supply Cord Cap	1	-
20	45	***28	C2485660	Decal – Master Set	1	-

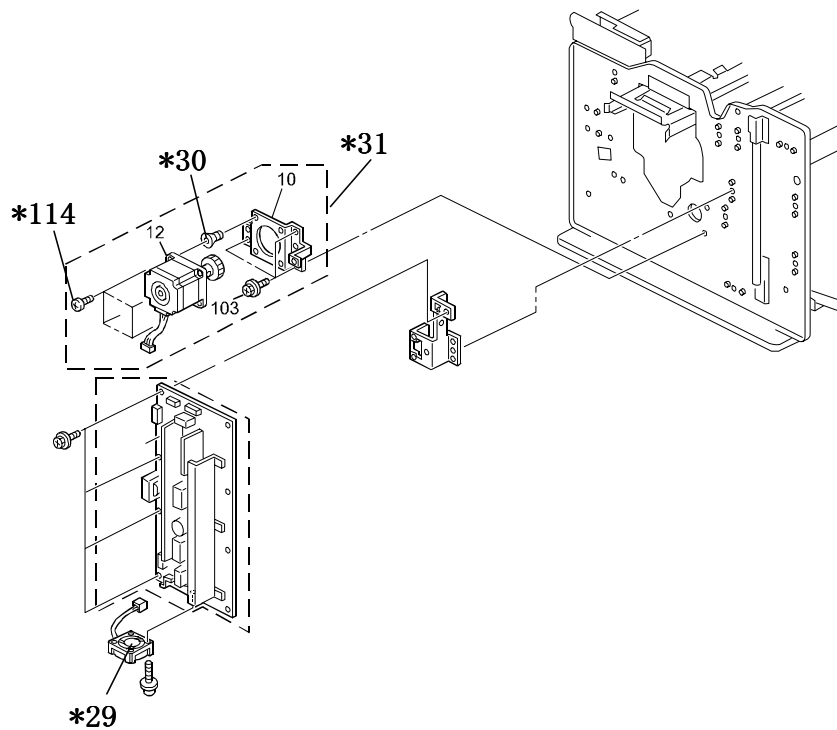


<b>Model:</b> PRIPORT SILVER-V/SILVER-V2	<b>Date:</b> 26-Dec-02	<b>No:</b> M-C237-013
--	------------------------	-----------------------

Sec	Page	Index	Parts No.	Description	Q'ty	MB No.
20	45	***29	C2485606	MPU Cover	1	-
20	45	***31	C2375107	Feed ROM	1	-
20	45	***31	C2375167	Feed ROM – CHN	1	MC237012
20	45	*32	C2374061	Master Eject Clamp Lever	1	MC237010
20	45	*33	C5801011	Interface Board	1	MC237001
20	45	*34	C5801510	Relay Harness	1	MC237001
20	45	*35	C5801550	Stepped Screw – M2.6	2	MC237001

**NOTE:** Index numbers \*32, \*33, \*34, and \*35 are also used in the C237 model.

## 21.ELECTRICAL SECTION 2 (C248)



Sec	Page	Index	Parts No.	Description	Q'ty	MB No.
21	47	***13	54431239	Plate Nut – Key Counter	1	-
21	47	***28	C2392455	Key Counter Cover	1	-
21	47	*29	C2375302	Power Supply Fan	1	MC237004
21	47	*30	C4031899	Rubber Bushing – M4	4	MC231013
21	47	*31	C2372872	Registration Dive Assembly	1	MC231013
21	47	*114	03540140B	Screw – M4X14	4	MC231013

**NOTE:** Index numbers \*29, \*30, \*31, and \*114 are also used in the C237 model.

**Model:** PRIPORT SILVER-V/SILVER-V2

**Date:** 26-Dec-02

**No:** M-C237-013

## 25.DECALS AND DOCUMENTS (C248)

Sec	Page	Index	Parts No.	Description	Q'ty	MB No.
25	61	***1	C2331295	Decal – Ink Supply	1	-
25	61	***2	C2481721	Decal – Front Original Set	1	-
25	61	***3	C2481722	Decal – Rear Original Set	1	-
25	61	***4	C2481302	Decal – Paper Exit Pawl	1	-
25	61	***4	C2481312	Decal – Paper Exit Pawl CHN	1	-
25	61	***5	C2483521	Decal – Eject Box	1	-
25	61	***6	C2485660	Decal – Master Set	1	-
25	61	***7	C2481303	Decal – Scanner Open	1	-
25	61	****10	C2312519	Decal – Drum Replace	1	-
25	61	****10	C2312529	Decal – Drum Replace CHN	1	-
25	61	***11	C2482937	Decal – Paper Feed Pressure	1	-
25	61	***11	C2482939	Decal – Paper Feed Pressure CHN	1	-
25	61	***12	C2482995	Decal – Side Fence	1	-
25	61	***13	C2482996	Decal – Paper Set	1	-
25	61	***14	C2482997	Decal – Paper Level	1	-
25	61	***15	C2482998	Decal – Paper Size	1	-
25	61	**16	C2488608	Operating Instructions – English (RIC-AA)	1	-
25	61	**16	C2488688	Operating Instructions – English (GES-AA)	1	-
25	61	**16	C2488690	Operating Instructions – English (NRG-EU)	1	-
25	61	**16	C2488697	Operating Instructions – English (USA)	1	-
25	61	**16	C2488698	Operating Instructions – English (STD)	1	-
25	61	****18	C2291354	Caution Decal	1	-
25	61	***18	C2391359	Decal Paper Feed	1	-
25	61	**19	C2481321	Decal – Emblem 5308b+	1	-
25	61	**19	C2481322	Decal – Emblem 1225B+	1	-
25	61	**19	C2481323	Decal – Emblem CP308b+	1	-
25	61	**19	C2481324	Decal – Emblem 5308+	1	-
25	61	**19	C2481325	Decal – Emblem 1225+	1	-
25	61	**19	C2481326	Decal – Emblem CP308+	1	-

<b>Model:</b> PRIPORT SILVER-V/SILVER-V2	<b>Date:</b> 26-Dec-02	<b>No:</b> M-C237-013
--	------------------------	-----------------------

Sec	Page	Index	Parts No.	Description	Q'ty	MB No.
25	61	***19	C2481327	Decal – Emblem JP1250	1	-
25	61	***19	C2481341	Decal – Emblem JP1215	1	-
25	61	***19	C2481342	Decal – Emblem 5300	1	-
25	61	***19	C2481343	Decal – Emblem JP1255	1	-
25	61	***19	C2481344	Decal – Emblem SD350	1	-

**26.ACCESSORIES AND SPECIAL TOOLS (C248)**

Sec	Page	Index	Parts No.	Description	Q'ty	MB No.
26	63	***2	C5771351	Drum Decal – Red	1	-
26	63	***2	C5771352	Drum Decal – Blue	1	-
26	63	***2	C5771353	Drum Decal – Green	1	-
26	63	***2	C5771354	Drum Decal – Brown	1	-
26	63	***2	C5771359	Drum Decal – White	1	-
26	63	***6	C5841010	Option Drum Case Ass'y	1	-
26	63	***7	C5831330	Decal – Drum Model LG	1	-
26	63	***7	C5841330	Decal – Drum Model B4	1	-
26	63	***7	C5851330	Decal – Drum Model A4	1	-
26	63	***8	C5841310	Decal – Drum Position	1	-

**PM PARTS INDEX**

Section name	Parts No.	Description	Q'ty	Page-Index
8. Paper Feed Section	C2372806	Friction Pad Guide	1	21-30

**NOTE:** The Friction Pad Guide (C2372806) was added to PM Parts for China only.

**Model:** PRIPORT SILVER-V/SILVER-V2

**Date:** 26-Dec-02

**No:** M-C237-013

## CUT IN SERIAL NUMBERS (START SERIAL NUMBERS)

Model Name	Drum	V/Hz	Destination	Code	Serial Number
Ricoh JP1235 Gestetner 5309L Savin 3160DNP Lanier LDD020	Legal	120/60	North America	C248-52	F2621250001
Standard SD350	Legal	120/60	North America	C248-61	*No production yet
Gestetner 5308b+	B4	110-120 /50,60	Taiwan Latin America	C248-63	*No production yet
Ges 5308b+ Rex 1225B+ Nsa CP308b+	B4	220-240 /50,60	Europe	C248-72	*No production yet
Gestetner 5308b+	B4	220-240 /50,60	Asia, etc.	C248-73	*No production yet
Ricoh JP1215	A4	220-240 /50,60	Europe CIS	C248-74	*No production yet
Ges 5308+ Rex 1225+ Nsa CP308+	A4	220-240 /50,60	Europe India	C248-75	*No production yet
Ricoh JP1255	B4	220-240 /50,60	Europe Latin America	C248-77	*No production yet
Ricoh JP1255	B4	220-240 /50,60	Asia, etc.	C248-79	*No production yet
Gestetner 5300	B4	220-240 /50,60	China	C248-82	*No production yet
Ricoh JP1250	B4	220-240 /50,60	China	C248-96	*No production yet